

Crystal Removal Hoist

Productive

Minimizes furnace down time and risk of crystal damage.

Cost Effective

A single operator can quickly and safely remove crystals from multiple furnaces.

Fast Turn Around

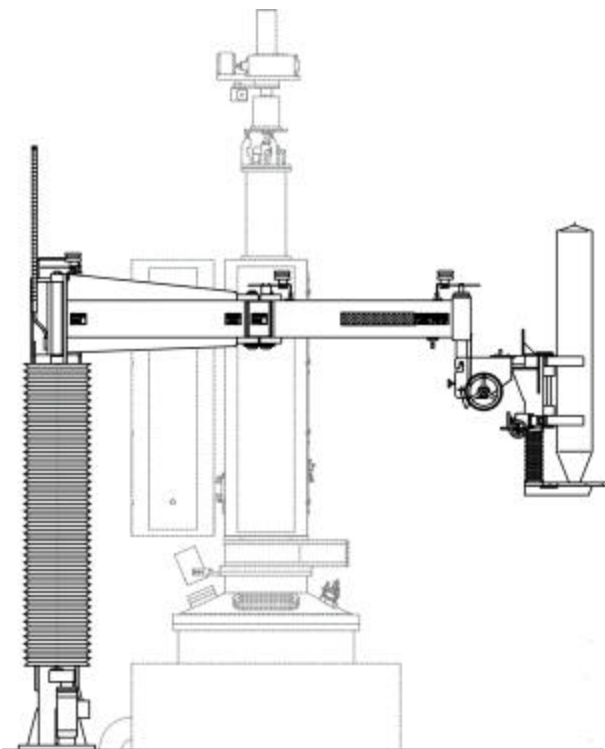
Crystal can be removed as soon as it is cool enough. Long before it could be manually removed!

Easy to Use

Simple and straightforward to operate no complicated controls. Rotates crystal from vertical to horizontal for easy transfer.

Safe

Smooth vertical lift movement on a motorized leadscrew. Firm, reliable clamping mechanism.



Standard Specifications

Maximum Load:	300kg	400kg
Maximum Reach:	4.3m	6.6m
Furnaces Serviced:	(4) CG6000s (2) KX150s	(2) KX300s

For more information, contact us